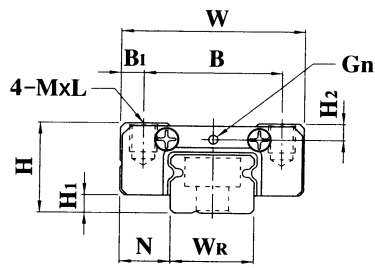
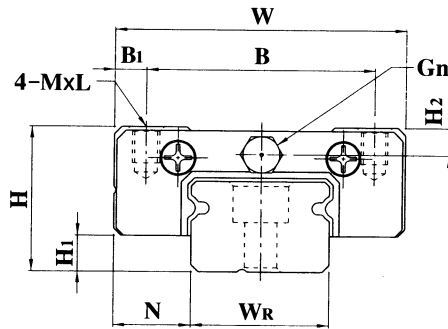


# OMGN-C / MGN-H Type

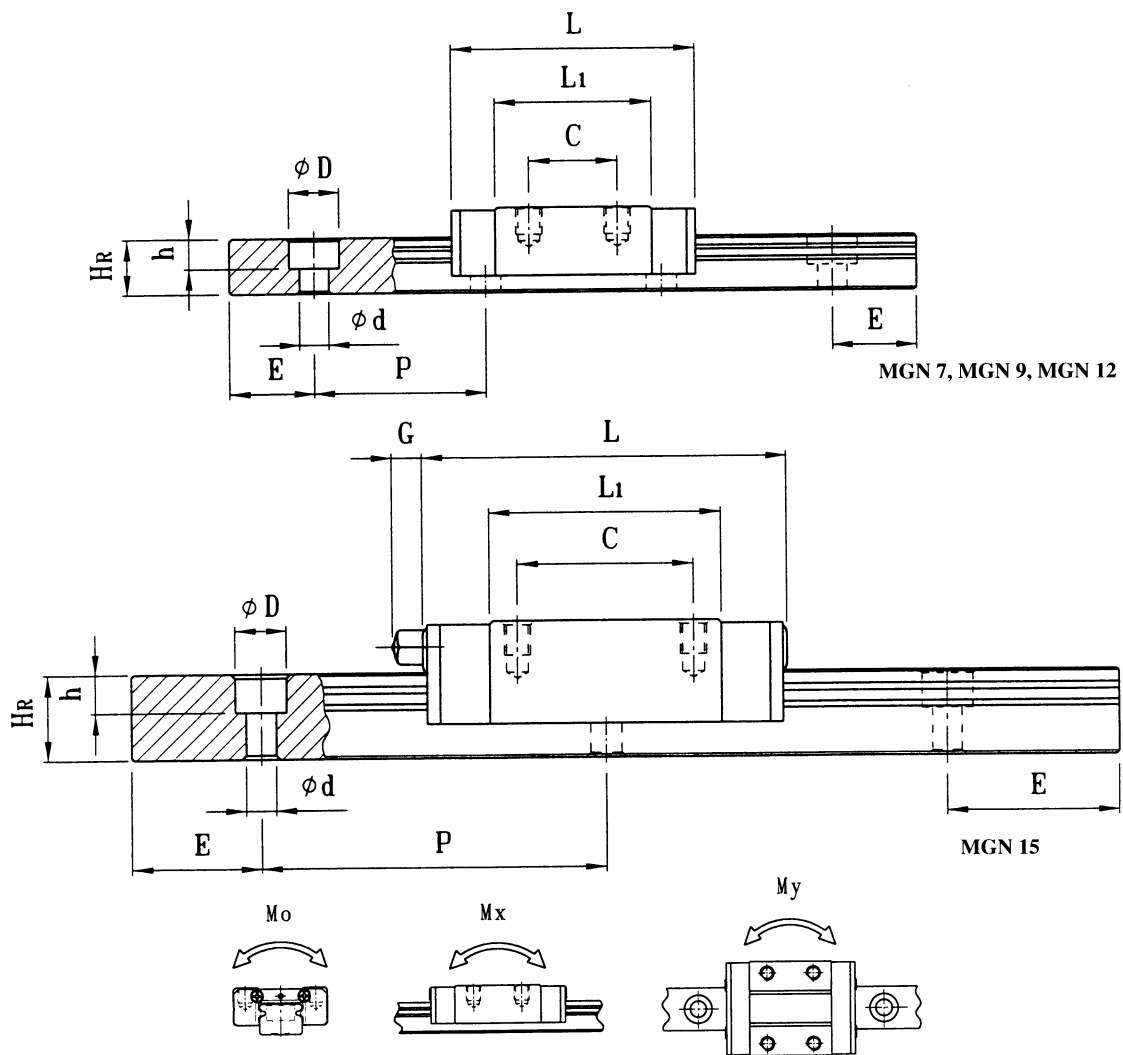
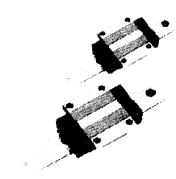


MGN 7, MGN 9, MGN 12



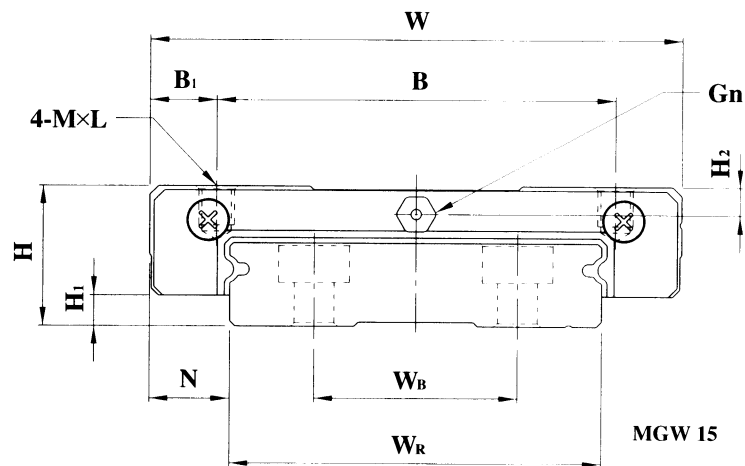
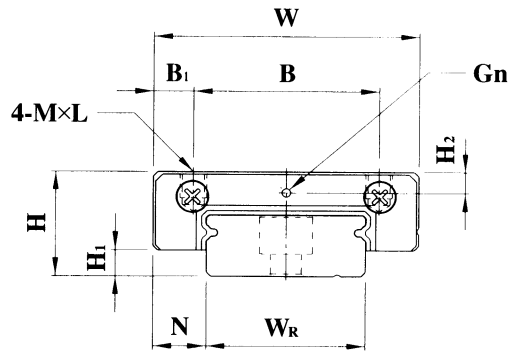
MGN 15

Model No.	Dimensions of Assembly			Dimensions of Block										Dimensions of Rail						
	(mm)			(mm)										(mm)						
	H	H <sub>1</sub>	N	W	B	B <sub>1</sub>	C	L <sub>1</sub>	L	G	G <sub>n</sub>	MxL	H <sub>2</sub>	W <sub>R</sub>	H <sub>R</sub>	D	h	d	P	E
MGN 7C	8	1.5	5	17	12	2.5	8	13.5	22.5	-	φ 0.8	M2×2.5	1.5	7	4.8	4.2	2.3	2.4	15	5
MGN 7H							13	21.8	30.8											
MGN 9C							10	18.9	28.9											
MGN 9H	10	2	5.5	20	15	2.5	16	29.9	39.9	-	φ 0.8	M3×3	1.8	9	6.5	6	3.5	3.5	20	7.5
MGN 12C							15	21.7	34.7											
MGN 12H	13	3	7.5	27	20	3.5	20	32.4	45.4	-	φ 0.8	M3×3.5	2.5	12	8	6	4.5	3.5	25	10
MGN 15C							20	26.7	42.1											
MGN 15H	16	4	8.5	32	25	3.5	25	43.4	58.8	4.5	GN3S	M3×4	3	15	10	6	4.5	3.5	40	15

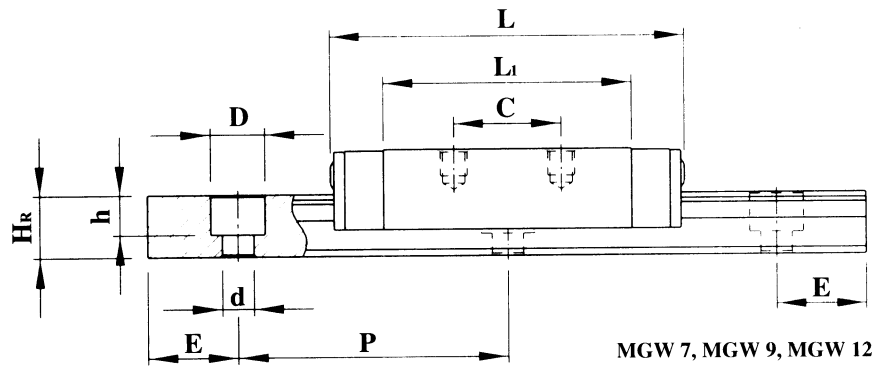
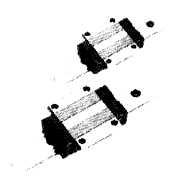


Mounting Bolt for Rail (mm)	Basic Dynamic Load Rating C (kgf)	Basic Static Load Rating C <sub>0</sub> (kgf)	Static Rated Moment			Weight		Model No
			M <sub>0</sub> (kgf-m)	M <sub>x</sub> (kgf-m)	M <sub>y</sub> (kgf-m)	Block (g)	Rail (kg/m)	
M2×6	100	127	0.48	0.29	0.29	10	0.22	MGN 7 C
	140	200	0.78	0.49	0.49	15		MGN 7 H
M3×8	190	260	1.2	0.75	0.75	16	0.38	MGN 9 C
	260	410	2	1.9	1.9	26		MGN 9 H
M3×8	290	400	2.6	1.4	1.4	34	0.65	MGN 12 C
	380	600	3.9	3.7	3.7	54		MGN 12 H
M3×10	470	570	4.6	2.2	2.2	59	1.06	MGN 15 C
	650	930	7.5	5.9	5.9	92		MGN 15 H

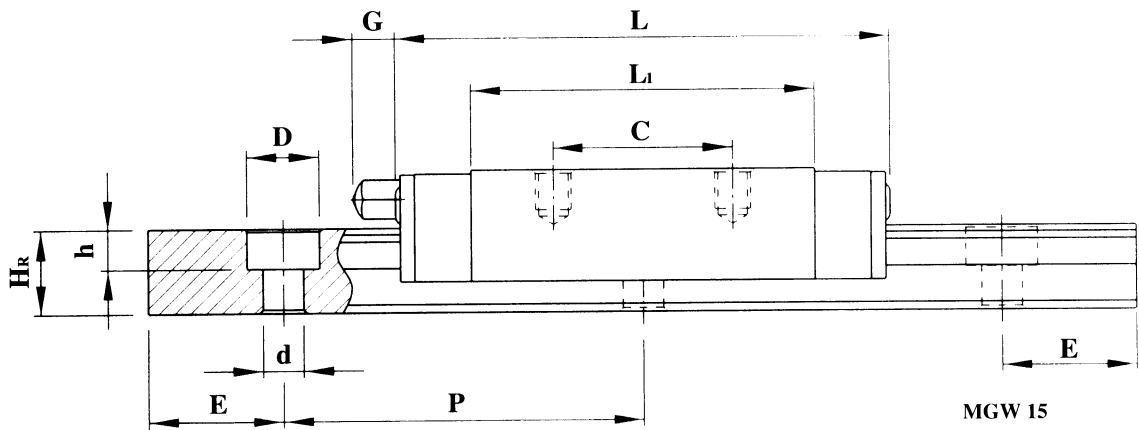
# OMGW-C / MGW-H Type



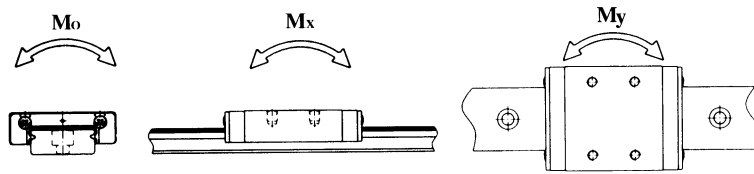
Model No.	Dimensions of Assembly			Dimensions of Block										Dimensions of Rail							
	(mm)			(mm)										(mm)							
	H	H <sub>1</sub>	N	W	B	B <sub>1</sub>	C	L <sub>1</sub>	L	G	G <sub>n</sub>	MxL	H <sub>2</sub>	W <sub>R</sub>	W <sub>B</sub>	H <sub>R</sub>	D	h	d	P	E
MGW 7C	9	2	5.5	25	19	3	10	21	31.2	-	φ 0.9	M3×3	1.85	14	-	5.2	6	3.2	3.5	30	10
MGW 7H					21	4.5	12	27.5	39.3												
MGW 9C	12	3	6	30	23	3.5	24	38.5	50.7	-	φ 1	M3×3	2.4	18	-	7	6	4.5	3.5	30	10
MGW 9H					21	4.5	12	27.5	39.3												
MGW 12C	14	3.5	8	40	28	6	15	31.3	46.1	-	φ 1	M3×4	2.8	24	-	8.5	8	4.5	4.5	40	15
MGW 12H					28	45.6	60.4														
MGW 15C	16	3.5	9	60	45	7.5	20	38	54.8	5.2	GN3S	M4×4.5	3.2	42	23	9.5	8	4.5	4.5	40	15
MGW 15H					35	57	73.8														



MGW 7, MGW 9, MGW 12



MGW 15



Mounting Bolt for Rail (mm)	Basic Dynamic Load Rating C (kgf)	Basic Static Load Rating C <sub>0</sub> (kgf)	Static Rated Moment			Weight		Model No
			M <sub>0</sub> (kgf-m)	M <sub>x</sub> (kgf-m)	M <sub>y</sub> (kgf-m)	Block (g)	Rail (kg/m)	
M3×6	140	210	1.48	0.63	0.63	20	0.51	MGW 7C
	180	320	2.17	1.31	1.31	29		MGW 7H
M3×8	280	420	3.8	1.68	1.68	40	0.91	MGW 9C
	350	600	5.56	3.47	3.47	57		MGW 9H
M4×8	400	570	7.17	2.83	2.83	71	1.49	MGW 12C
	520	840	10.47	5.85	5.85	103		MGW 12H
M4×10	690	940	22.02	6.72	6.72	143	2.86	MGW 15C
	910	1410	32.18	13.87	13.87	215		MGW 15H