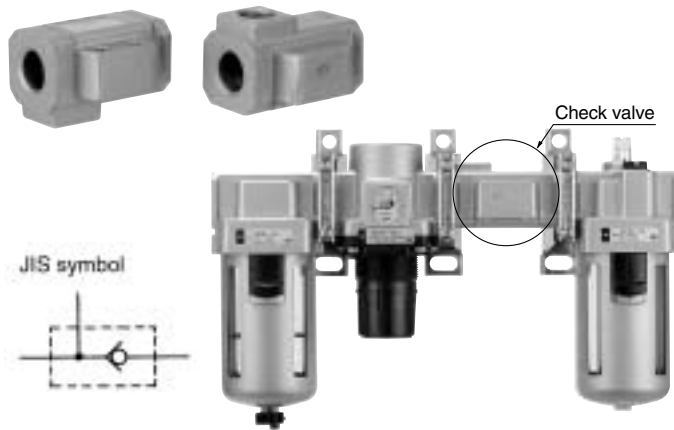


Series AC

Check Valve (K) Rc1/8, 1/4, 3/8

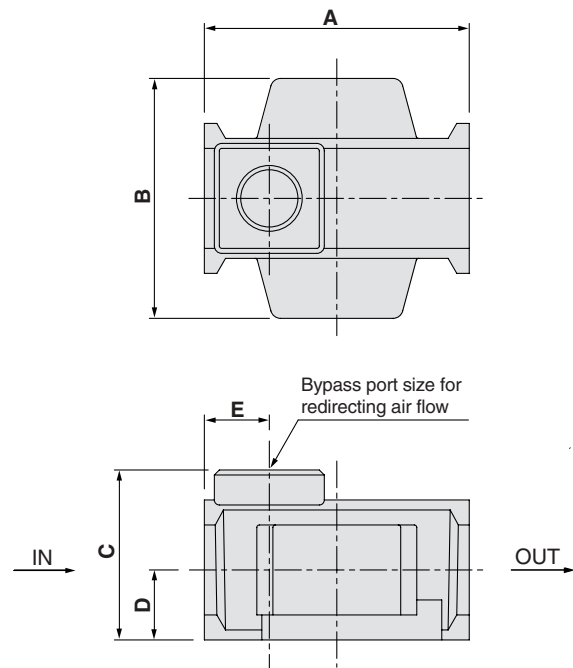
A check valve with intermediate air release port can be easily installed to prevent a back flow of lubricant when redirecting the air flow and releasing the air on the outlet side of the regulator.



Specifications

Model	Effective area (mm ²)
AKM2000	28
AKM3000	55
AKM4000	111

Be sure to use above check valves when redirecting the air flow on the inlet side of the lubricator. Threads for IN and OUT ports are not machined.



Model	Bypass port sizes	A	B	C	D	E	Applicable model
AKM2000	1/8, 1/4	40	40	28	11	11	AC20, AC20A
AKM3000	1/8, 1/4	53	48	34	14	13	AC25, AC25A AC30, AC30A
AKM4000	1/4, 3/8	70	54	42	18	15	AC40, AC40A ^{Note)}

Note) Not applicable to AC40□-06.

* Refer to the attachment table on page 1 or 5 for standard bypass port sizes applicable to AC.

How to Order

AKM 30 00 - 01

Check valve
Body size
20 30 40

Bypass port size for redirecting air flow

Symbol	Port size	Body size		
		20	30	40
01	1/8	●	●	—
02	1/4	●	●	●
03	3/8	—	—	●

Thread type

Nil	Rc
N	NPT
F	G